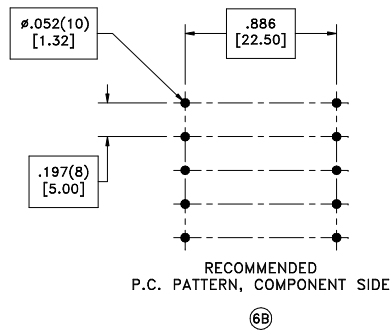
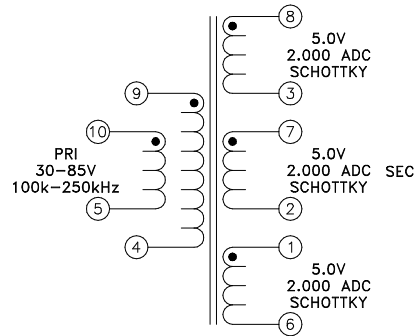
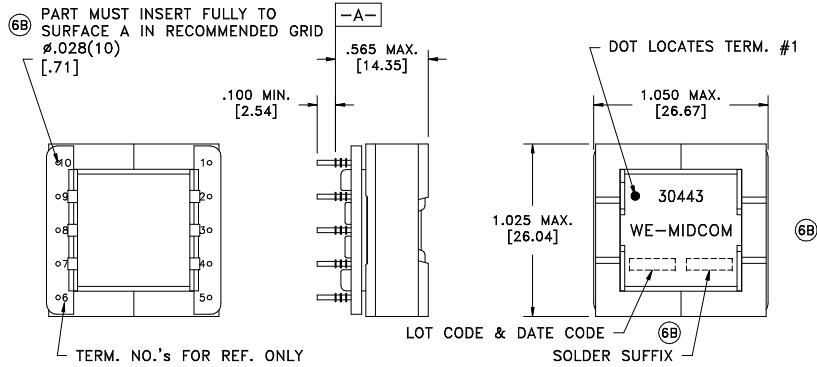


SOLDER SUFFIX	CUSTOMER TERMINAL	RoHS	LEAD(Pb)-FREE	6B/6C
	Sn63%, Pb37%	No	No	
LF1	Sn96%, Ag4%	Yes	Yes	

more than you expect



ELECTRICAL SPECIFICATIONS @ 25°C unless otherwise noted:

PARAMETER	TEST CONDITIONS	VALUE
D.C. RESISTANCE	10-5 @20°C	0.190 ohms max.
D.C. RESISTANCE	1-6 @20°C	0.020 ohms max.
D.C. RESISTANCE	8-3 @20°C	0.018 ohms max.
D.C. RESISTANCE	7-2 @20°C	0.019 ohms max.
D.C. RESISTANCE	9-4 @20°C	0.074 ohms max.
INDUCTANCE	100kHz, 100mVAC, Ls	66uH ±10%
LEAKAGE INDUCTANCE	tie(8+3, 7+2, 1+6, 4+5, 10+9), 100kHz, 100mVAC, Ls	900nH typ.
DIELECTRIC	625VAC, 1 second	500VAC, 1 minute
URNS RATIO	(10-5):(9-4)	1:1, ±1%
URNS RATIO	(9-4):(1-6)	2.778:1, ±1%
URNS RATIO	(9-4):(7-2)	2.778:1, ±1%
URNS RATIO	(9-4):(8-3)	2.778:1, ±1%

TRANSFORMER INFORMATION:

Pout max.: 30.00W
Pout min.: 7.00W
Estimated Temp. Rise @ Pout max.: 44.0°C
Estimated Efficiency: 70%
Estimated Maximum Duty Cycle: 34.2%

SWITCH SELECTION INFORMATION:

Input Voltage Range: 30 - 85V
Peak Current: 4.9A
Vsw @ Rated Output Voltages: 100 + (Vmax - 85)
Operating Frequency: 100k - 250kHz
Estimated Maximum Duty Cycle: 34.2%

Transformer will operate in Discontinuous Mode below Minimum Specified Output Voltage of Pout Min.

Pout min. varies with frequency of switcher (from 100 to 250kHz)
Pout Min. = 700.0/(Frequency in kHz) Watts

Midcom p/n 30443-LF1 is eiSos p/n: 750030443.

DETAILS SUBJECT TO CHANGE

REV.	DATE	Packaging Specifications		Tolerances unless otherwise specified: Angles: ±1° Decimals: ±.005 [.13] Fractions: ±1/64 Footprint: ±.005 [.13]	DRAWING TITLE TRANSFORMER	PART NO. 30443/-LF1
6D	3/08	Method: Tray				
6C	7/05	PKG-0029				
6B	11/04	www.midcom-inc.com				
6A	7/97	SEE REVISION SHEET FOR REVISION LEVEL				

