

TERM. NO.'s FOR REF. ONLY

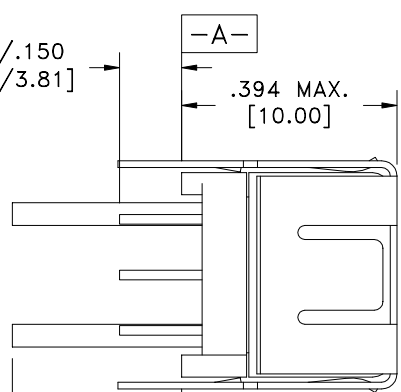
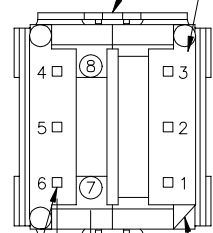
.012 x .036 REF.(2)
[.30 x .91]

.110/.150
[2.79/3.81]

-A-

.394 MAX.
[10.00]

.375 MAX.
[9.53]



.430 MAX.
[10.92]

31027

651

DOT LOCATES TERM. #1

EIA CODE

LOT & DATE CODE

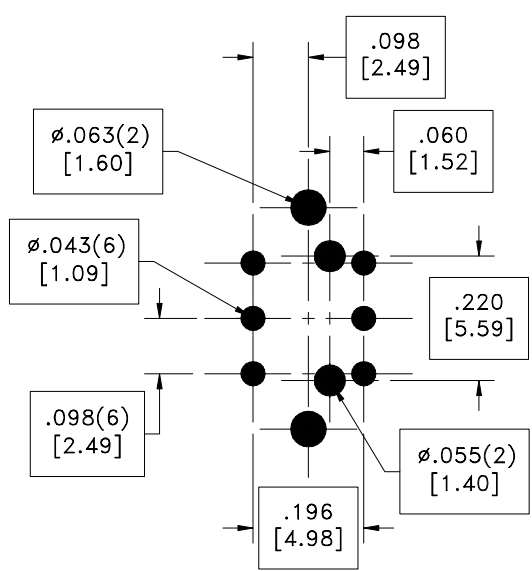
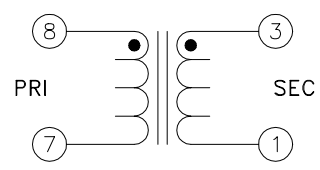
.060 REF.
[1.52]

.017 SQ.(6)
[.43]

CHAMFER LOCATES TERM. #1

PART MUST INSERT FULLY TO SURFACE A IN RECOMMENDED GRID

.300 ±.040
[7.62 ±1.02]



RECOMMENDED P.C. PATTERN, COMPONENT SIDE

(6B)

ELECTRICAL SPECIFICATIONS @ 25°C unless otherwise noted:

- D.C. RESISTANCE (@20°C): 1-3, 2.20 ohms max.
- DIELECTRIC RATING: 750VDC, 1 minute tested by applying 900VDC for 1 second between PRI-SEC.
- INDUCTANCE: 20.5mH min., 100kHz, 100mVAC, 1-3, Ls.
- TURNS RATIO: (1-3):(7-8) = 75:1, ±0.75%.

Designed to meet the specifications of Compaq.

Midcom, Inc. Watertown, SD USA Toll Free: 800-643-2661 Fax: 605-886-4486	Unless otherwise specified: Tolerances: Fractions: ±1/64 Angles: ±1° Decimals: ±.005(.127mm)		
	DRAWING TITLE <h2 style="text-align: center;">TRANSFORMER</h2>	DRAWING NO. <h2 style="text-align: center;">31027</h2>	REV. 6B 8/01
This drawing is dual dimensioned. Dimensions in brackets are in millimeters.	REVISIONS: SEE SHEET 1	SCALE ---	SHEET 2 OF 5

DWG # 31027