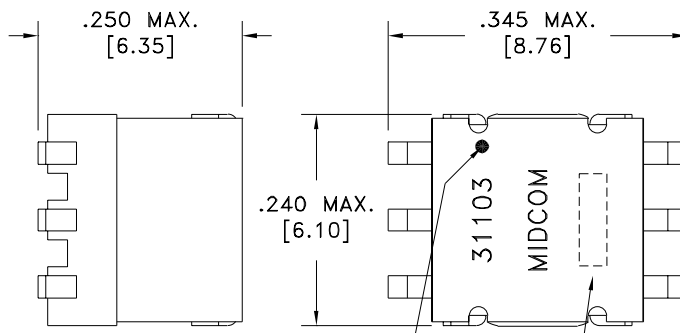
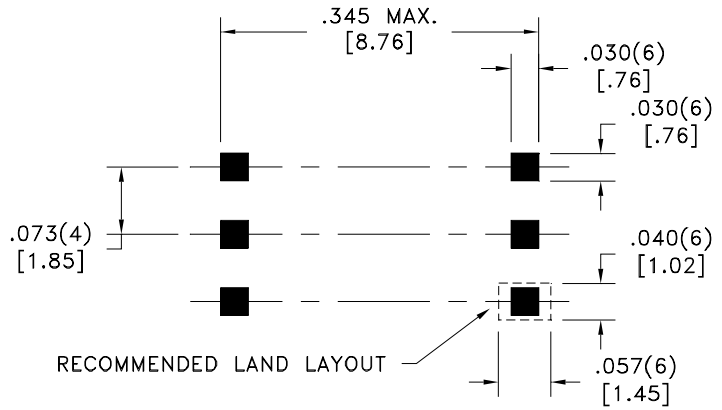
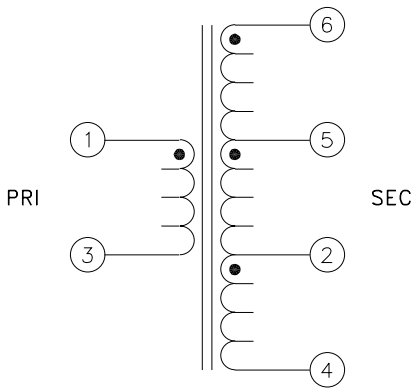


TERM. NO.'s FOR REF. ONLY



DOT LOCATES TERM. #1

LOT CODE & DATE CODE



RECOMMENDED LAND LAYOUT

TERMINAL PAD DIMENSIONS
CUSTOMER TO DETERMINE LAND SIZE

ELECTRICAL SPECIFICATIONS @ 25°C unless otherwise noted:

- D.C. RESISTANCE (@20°C):
 1-3, 1.00 ohms max.
 6-5, 0.67 ohms max.
 5-2, 1.60 ohms max.
 2-4, 1.10 ohms max.
- DIELECTRIC RATING: 500VDC, for 1 second between PRI-SEC.
- INDUCTANCE: 10uH ±25%, 10kHz, 10mVAC, 3-1, Ls.
- URNS RATIO:
 (6-5):(1-3) = 0.654:1, ±1%.
 (5-2):(1-3) = 1.461:1, ±1%.
 (2-4):(1-3) = 1:1, ±1%.

Midcom, Inc. Watertown, SD USA Toll Free: 800-643-2661 Fax: 605-886-4486	Unless otherwise specified: Tolerances: Fractions: ±1/64 Angles: ±1° Decimals: ±.005(.127mm)			DWG.# 31103R
	DRAWING TITLE <h2 style="text-align: center;">TRANSFORMER</h2>	DRAWING NO. <h2 style="text-align: center;">31103R</h2>	REV. 6A	
This drawing is dual dimensioned. Dimensions in brackets are in millimeters.	REVISIONS: SEE SHEET 1	SCALE ---	SHEET 2 OF 5	