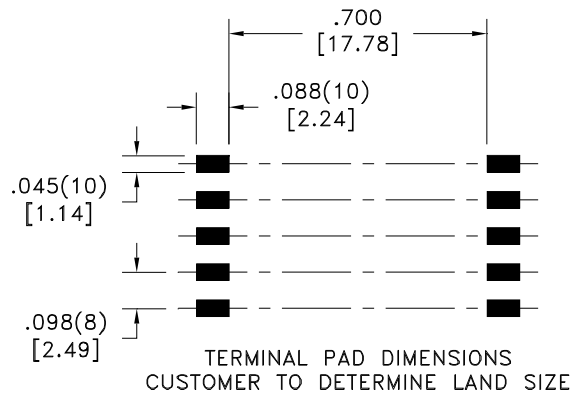
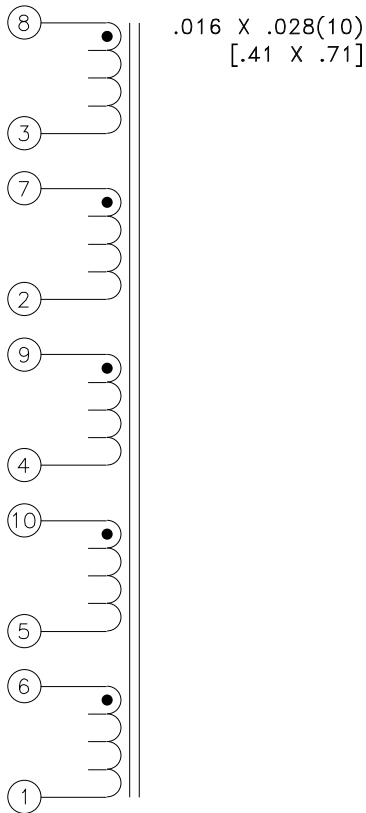
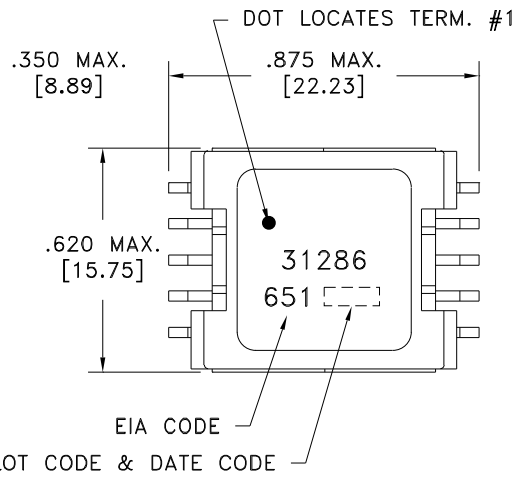
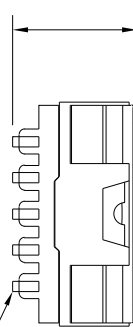
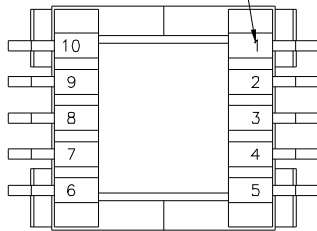


TERM. NO.'s FOR REF. ONLY



ELECTRICAL SPECIFICATIONS @ 25°C unless otherwise noted:

D.C. RESISTANCE (@20°C):
 8-3, 0.170 ohms max.
 7-2, 0.180 ohms max.
 9-4, 0.190 ohms max.
 10-5, 0.200 ohms max.
 6-1, 0.210 ohms max.

DIELECTRIC RATING: 500VDC, 1 minute tested by applying 625VDC for 1 second between all windings.

INDUCTANCE: 40uH ±15%, 100kHz, 100mVAC, 8-3, Ls.

URNS RATIO:
 (8-3):(7-2) = 1:1, ±1%.
 (8-3):(9-4) = 1:1, ±1%.
 (8-3):(10-5) = 1:1, ±1%.
 (8-3):(6-1) = 1:1, ±1%.

DETAILS SUBJECT TO CHANGE

Midcom, Inc.

Watertown, SD USA
 Toll Free: 800-643-2661
 Fax: 605-886-4486

This drawing is dual dimensioned.
 Dimensions in brackets are in millimeters.

Unless otherwise specified:
 Tolerances: Fractions: ±1/64
 Angles: ±1° Decimals: ±.005(.127mm)

DRAWING TITLE

TRANSFORMER

REVISIONS: SEE SHEET 1

Midcom

DRAWING NO.

31286R

REV.

6A

SCALE ---

SHEET 2 OF 5

DWG.# 31286R