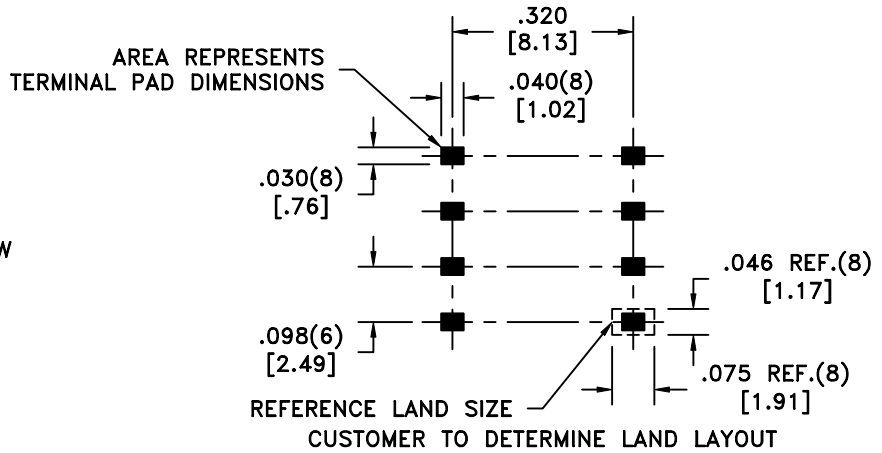
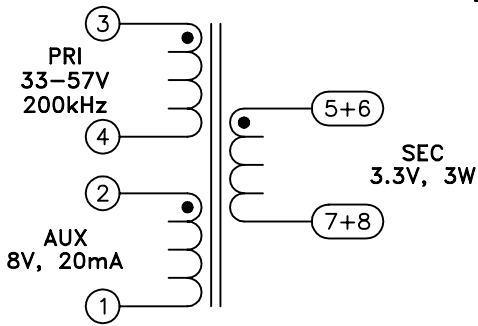
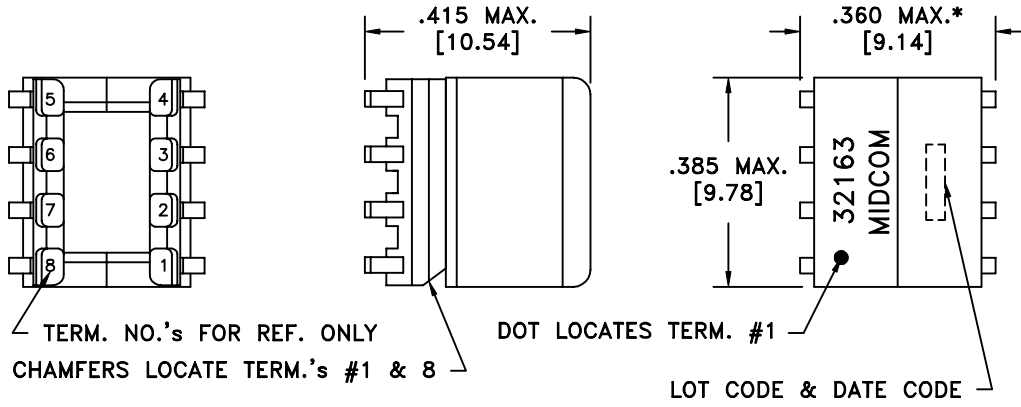


\* DIMENSION MAY BE EXCEEDED WITH SOLDER ONLY



**ELECTRICAL SPECIFICATIONS @ 25°C unless otherwise noted:**

- D.C. RESISTANCE (@20°C):  
 1-2, 0.215 ohms max.  
 3-4, 1.750 ohms max.  
 5-7(tie 5+6, 7+8), 0.015 ohms max.
- DIELECTRIC RATING:  
 1500VAC for 1 second between 1-8(tie 2+3, 5+6).  
 500VDC for 1 second between 1-3.
- INDUCTANCE:  
 500uH ±10%, 10kHz, 100mVAC, 3-4, Ls.
- LEAKAGE INDUCTANCE:  
 7.5uH max., 100kHz, 100mVAC, 3-4(tie 1+2, 5+6+7+8), Ls.
- URNS RATIO:  
 (3-4):(5-7) = 12.04:1, tie(5+6, 7+8), ±2%.  
 (3-4):(2-1) = 4.807:1, ±2%.

**Midcom, Inc.**  
 Watertown, SD USA  
 Toll Free: 800-643-2661  
 Fax: 605-886-4486

This drawing is dual dimensioned.  
 Dimensions in brackets are in millimeters.

Unless otherwise specified:  
 Tolerances: Fractions: ±1/64  
 Angles: ±1° Decimals: ±.005[.13]

DRAWING TITLE

**TRANSFORMER**

REVISIONS: SEE SHEET 1

**Midcom**

DRAWING NO.

**32163R**

REV.

6A  
 6/05

SCALE ---

SHEET 2 OF 5

DWG # 32163R