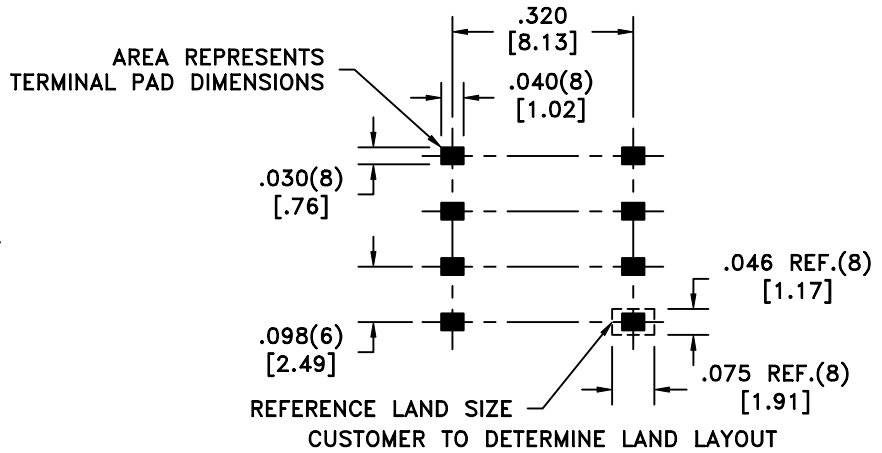
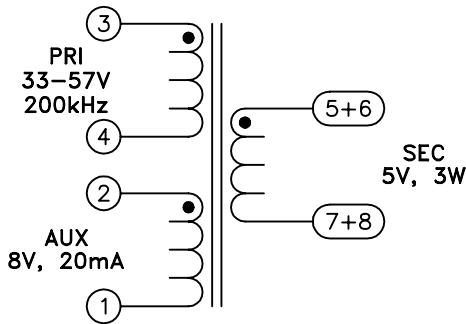
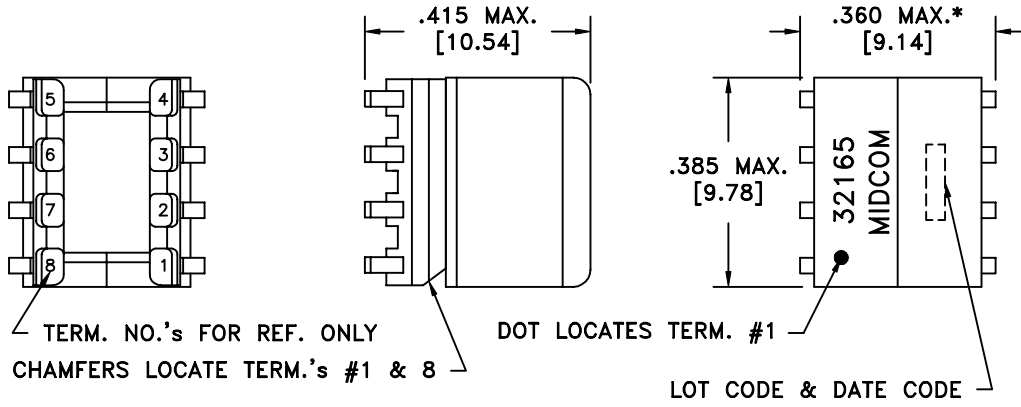


* DIMENSION MAY BE EXCEEDED WITH SOLDER ONLY



ELECTRICAL SPECIFICATIONS @ 25°C unless otherwise noted:

- D.C. RESISTANCE (@20°C):** 1-2, 0.215 ohms max.
 3-4, 1.750 ohms max.
 5-7(tie 5+6, 7+8), 0.035 ohms max.
- DIELECTRIC RATING:** 1500VAC for 1 second between 1-8(tie 2+3, 5+6).
 500VDC for 1 second between 1-3.
- INDUCTANCE:** 500uH ±10%, 10kHz, 100mVAC, 3-4, Ls.
- LEAKAGE INDUCTANCE:** 7.5uH max., 100kHz, 100mVAC, 3-4(tie 1+2, 5+6+7+8), Ls.
- TURNS RATIO:** (3-4):(5-7) = 8:1, tie(5+6, 7+8), ±2%.
 (3-4):(2-1) = 4.807:1, ±2%.

Midcom, Inc.
 Watertown, SD USA
 Toll Free: 800-643-2661
 Fax: 605-886-4486

Unless otherwise specified:
 Tolerances: Fractions: ±1/64
 Angles: ±1° Decimals: ±.005[.13]

DRAWING TITLE
TRANSFORMER

Midcom

DRAWING NO.

32165R

REV.

6A
 6/05

REVISIONS: SEE SHEET 1

SCALE ---

SHEET 2 OF 5

This drawing is dual dimensioned.
 Dimensions in brackets are in millimeters.

DWG # 32165R