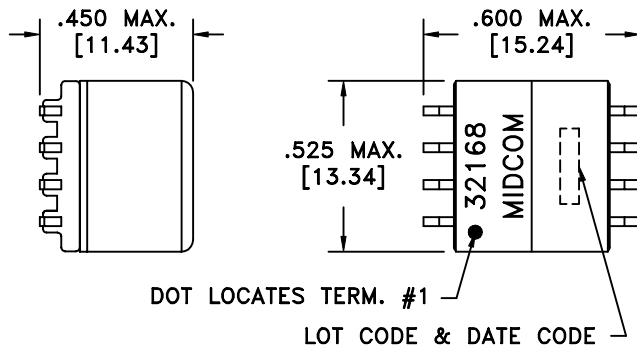
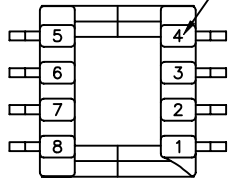
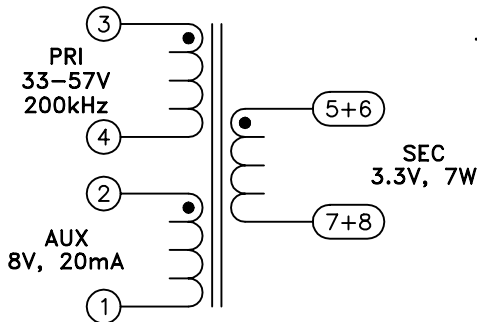


TERM. NO.'s FOR REF. ONLY

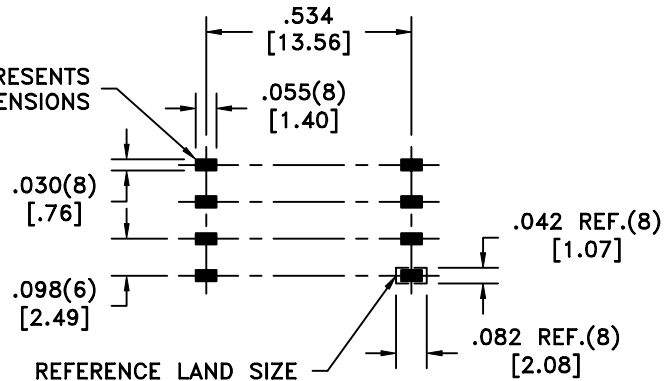


DOT LOCATES TERM. #1

LOT CODE & DATE CODE



AREA REPRESENTS
TERMINAL PAD DIMENSIONS



REFERENCE LAND SIZE

CUSTOMER TO DETERMINE LAND LAYOUT

ELECTRICAL SPECIFICATIONS @ 25°C unless otherwise noted:

- D.C. RESISTANCE (@20°C):** 1-2, 0.115 ohms max.
3-4, 0.420 ohms max.
5-7(tie 5+6, 7+8), 0.0075 ohms max.
- DIELECTRIC RATING:** 1500VAC for 1 second between 1-8(tie 2+3, 5+6).
500VDC for 1 second between 1-3.
- INDUCTANCE:** 253.0uH ±10%, 10kHz, 100mVAC, 3-4, Ls.
- LEAKAGE INDUCTANCE:** 7.5uH max., 100kHz, 100mVAC, 3-4(tie 1+2, 5+6+7+8), Ls.
- TURNS RATIO:** (3-4):(5-7) = 12.048:1, tie(5+6, 7+8), ±2%.
(3-4):(2-1) = 4.807:1, ±2%.

Midcom, Inc.
Watertown, SD USA
Toll Free: 800-643-2661
Fax: 605-886-4486

This drawing is dual dimensioned.
Dimensions in brackets are in millimeters.

Unless otherwise specified:
Tolerances: Fractions: ±1/64
Angles: ±1° Decimals: ±.005[.13]

DRAWING TITLE

TRANSFORMER

REVISIONS: SEE SHEET 1

Midcom

DRAWING NO.

32168R

SCALE ---

REV.

6A
7/05

SHEET 2 OF 5

DWG # 32168R