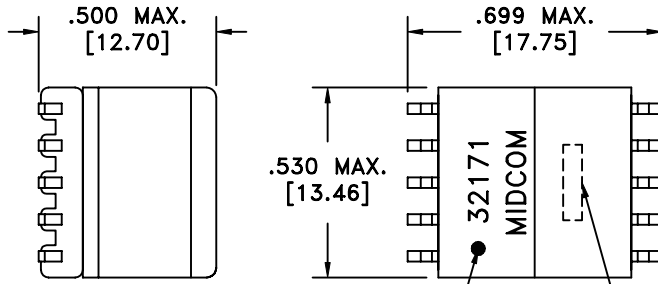
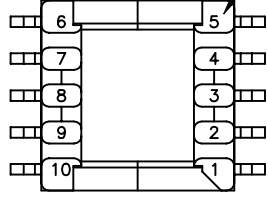
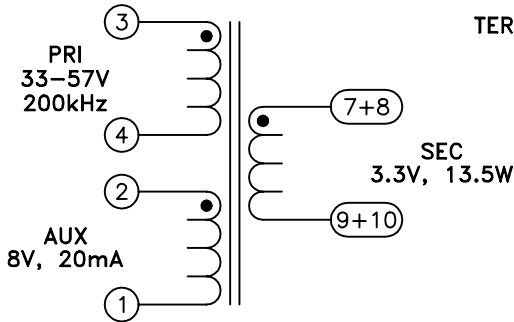


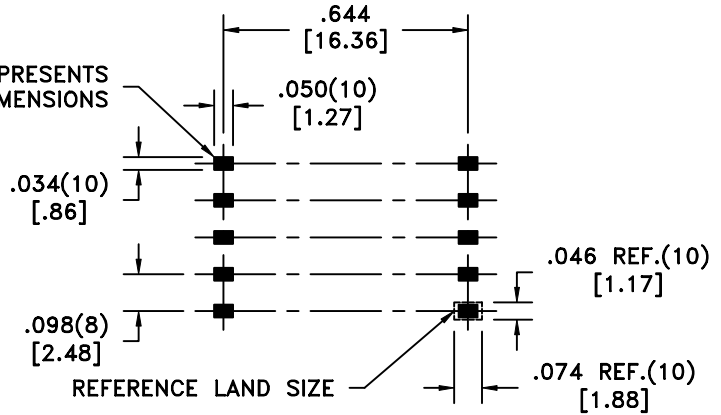
TERM. NO.'s FOR REF. ONLY



DOT LOCATES TERM. #1
LOT CODE & DATE CODE



AREA REPRESENTS
TERMINAL PAD DIMENSIONS



CUSTOMER TO DETERMINE LAND LAYOUT

ELECTRICAL SPECIFICATIONS @ 25°C unless otherwise noted:

- D.C. RESISTANCE (@20°C):** 1-2, 0.088 ohms max.
3-4, 0.440 ohms max.
7-9(tie 7+8, 9+10), 0.006 ohms max.
- DIELECTRIC RATING:** 1500VAC for 1 second between 1-10(tie 2+3, 7+8).
500VDC for 1 second between 1-3.
- INDUCTANCE:** 127.0uH ±10%, 10kHz, 100mVAC, 3-4, Ls.
- LEAKAGE INDUCTANCE:** 7.5uH max., 100kHz, 100mVAC, 3-4(tie 1+2, 7+8+9+10), Ls.
- TURNS RATIO:** (3-4):(7-9) = 12.04:1, tie(7+8, 9+10), ±2%.
(3-4):(2-1) = 4.807:1, ±2%.

Midcom, Inc.
Watertown, SD USA
Toll Free: 800-643-2661
Fax: 605-886-4486

This drawing is dual dimensioned.
Dimensions in brackets are in millimeters.

Unless otherwise specified:
Tolerances: Fractions: ±1/64
Angles: ±1° Decimals: ±.005[.13]

DRAWING TITLE

TRANSFORMER

REVISIONS: SEE SHEET 1

Midcom

DRAWING NO.

32171R

SCALE ---

REV.

6A
6/06

SHEET 2 OF 5

DWG # 32171R