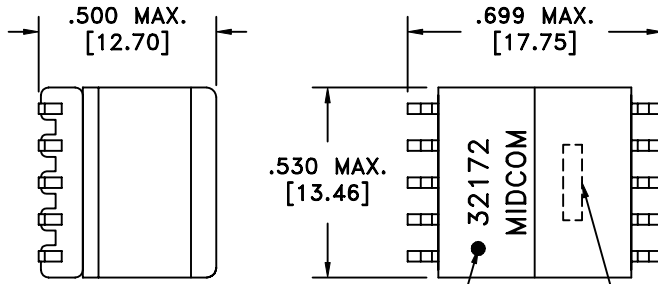
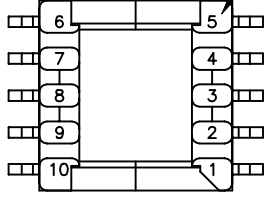
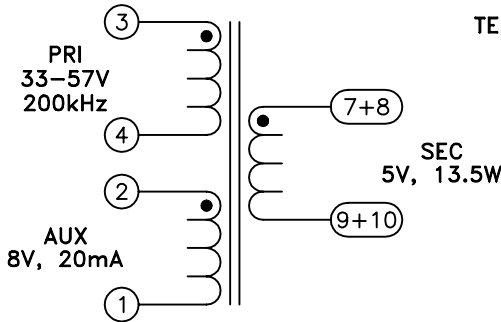


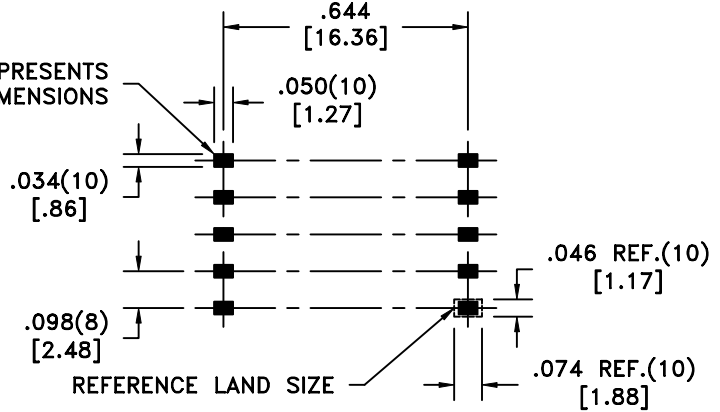
TERM. NO.'s FOR REF. ONLY



DOT LOCATES TERM. #1  
LOT CODE & DATE CODE



AREA REPRESENTS  
TERMINAL PAD DIMENSIONS



CUSTOMER TO DETERMINE LAND LAYOUT

**ELECTRICAL SPECIFICATIONS @ 25°C unless otherwise noted:**

- D.C. RESISTANCE (@20°C):  
 1-2, 0.094 ohms max.  
 3-4, 0.460 ohms max.  
 7-9(tie 7+8, 9+10), 0.012 ohms max.
- DIELECTRIC RATING:  
 1500VAC for 1 second between 1-10(tie 2+3, 7+8).  
 500VDC for 1 second between 1-3.
- INDUCTANCE:  
 127.0uH ±10%, 10kHz, 100mVAC, 3-4, Ls.
- LEAKAGE INDUCTANCE:  
 7.5uH max., 100kHz, 100mVAC, 3-4(tie 1+2, 7+8+9+10), Ls.
- TURNS RATIO:  
 (3-4):(7-9) = 8:1, tie(7+8, 9+10), ±2%.  
 (3-4):(2-1) = 4.807:1, ±2%.

**Midcom, Inc.**  
 Watertown, SD USA  
 Toll Free: 800-643-2661  
 Fax: 605-886-4486

This drawing is dual dimensioned.  
 Dimensions in brackets are in millimeters.

Unless otherwise specified:  
 Tolerances: Fractions: ±1/64  
 Angles: ±1° Decimals: ±.005[.13]

DRAWING TITLE  
**TRANSFORMER**

REVISIONS: SEE SHEET 1

**Midcom**

DRAWING NO.  
**32172R**

REV.  
 6A  
 6/06

SCALE ---

SHEET 2 OF 5

DWG # 32172R