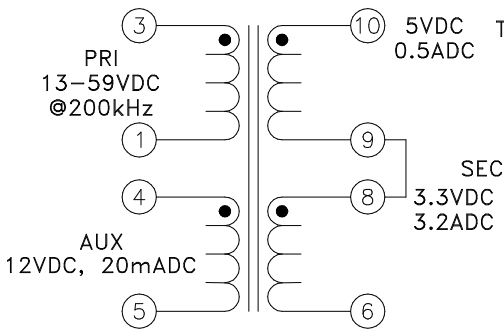
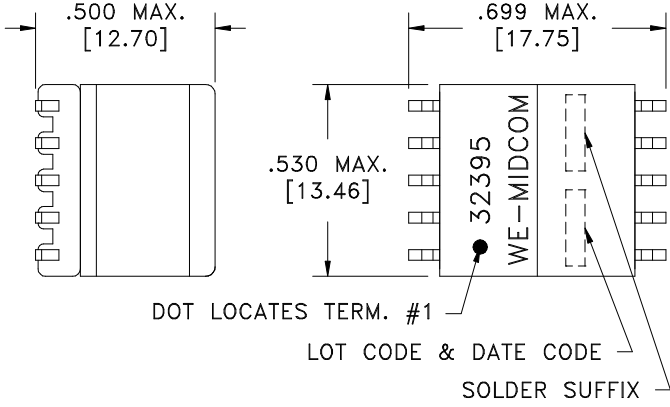
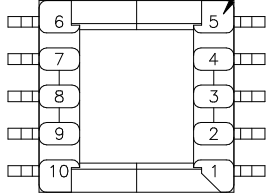
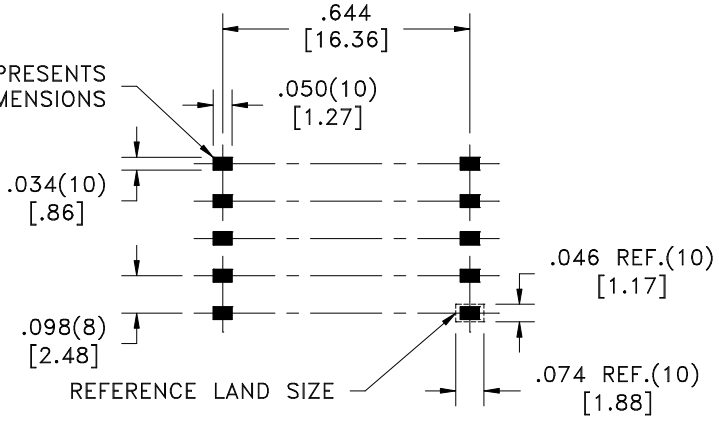


SOLDER SUFFIX	CUSTOMER TERMINAL	RoHS	LEAD(Pb)-FREE
LF1	Sn96%, Ag4%	Yes	Yes

TERM. NO.'s FOR REF. ONLY




Customer to tie terminals 8+9 internally on PC board



ELECTRICAL SPECIFICATIONS @ 25°C unless otherwise noted:

- D.C. RESISTANCE (@20°C):
 3-1, 0.062 ohms ±20%.
 4-5, 0.425 ohms ±20%.
 8-6, 0.006 ohms ±20%.
 10-9, 0.019 ohms ±20%.
- DIELECTRIC RATING:
 1500VAC for 1 second between 3-8; 3-10; 4-8; 4-10.
 500VDC for 1 second between 3-4.
- INDUCTANCE:
 37uH ±10%, 100kHz, 100mVAC, 3-1, Ls.
- LEAKAGE INDUCTANCE:
 5uH max. (3.5uH typ.), 100kHz, 100mVAC, 3-1(tie 6+8), Ls.
- TURNS RATIO:
 (3-1):(8-6) = 5.25:1, ±2%.
 (3-1):(10-6) = 3.5:1, tie(8+9), ±2%.
 (3-1):(4-5) = 1.91:1, ±2%.

DETAILS SUBJECT TO CHANGE

Unless otherwise specified: Tolerances: Angles: ±1° Fractions: ±1/64 Decimals: ±.005[.13]	DRAWING TITLE <h2 style="text-align: center;">TRANSFORMER</h2>	 www.we-online.com/midcom		PART # 32395R-LF1
	eiSos p/n: 750032395	PART NO. <h2 style="text-align: center;">32395R-LF1</h2>	REV. 6C 11/10	
This drawing is dual dimensioned. Dimensions in brackets are in millimeters.	SEE REVISION SHEET FOR REVISION LEVEL	SPECIFICATION SHEET 1 OF 1		