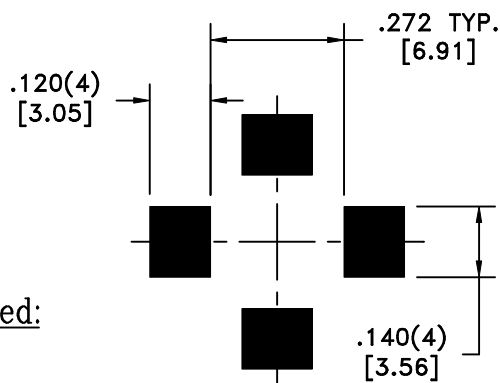
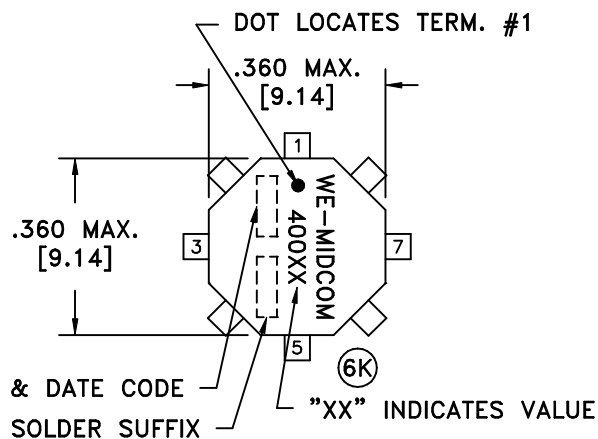
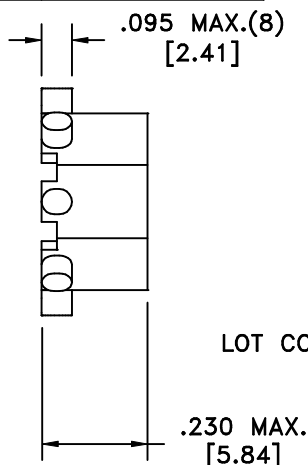
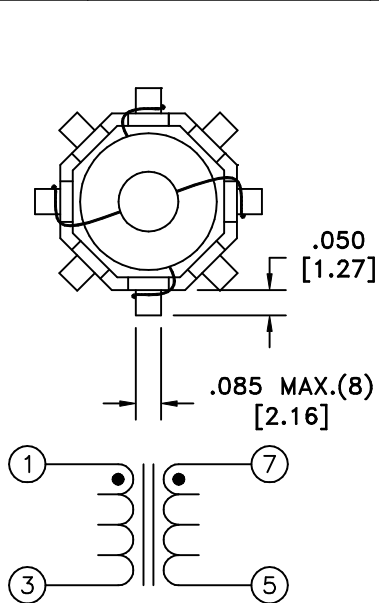


SOLDER SUFFIX	CUSTOMER TERMINAL	RoHS	LEAD(Pb)-FREE	(6K)
	Sn63%, Pb37%	No	No	
LF2	Sn98%, Cu2%	Yes	Yes	



ELECTRICAL SPECIFICATIONS @ 25°C unless otherwise noted:

- (6E) D.C. RESISTANCE (@20°C): See Table.
- DIELECTRIC RATING: 500VDC, 1 minute tested by applying 625VDC for 1 second between windings.
- (6C) INDUCTANCE: 100kHz, 100mV.

(6E) MIDCOM P/N	INDUCTANCE $\mu\text{H} \pm 20\%$ (Term. 1-3)	DCR (Series) Max. Ohms (Term. 1-5, tie 3+7)	DCR (Parallel) Max. Ohms (Term. 1-3, tie 7+1, 3+5)	INDUCTANCE (Parallel) (Term. 1-3, tie 7+1, 3+5)	
				ADC	Ind. min. μH
(6C) 40017R/-LF2	0.490	0.024	0.006	5.9	0.36
(6C) 40018R/-LF2	0.795	0.029	0.007	5.4	0.57
(6C) 40019R/-LF2	1.14	0.034	0.009	5.0	0.82
(6C) 40020R/-LF2	2.03	0.056	0.014	3.9	1.52
(6C) 40021R/-LF2	4.90	0.128	0.032	2.5	3.48
40022R/-LF2	7.65	0.159	0.040	2.3	5.18
40023R/-LF2	9.83	0.179	0.045	2.1	6.56
40024R/-LF2	15.0	0.339	0.085	1.6	10.3
40025R/-LF2	19.6	0.387	0.097	1.5	13.0
(6C) 40026R/-LF2	23.9	0.436	0.109	1.4	16.2
40027R/-LF2	32.7	0.503	0.126	1.3	21.2
40028R/-LF2	49.1	1.220	0.305	0.82	34.4
40029R/-LF2	68.9	1.450	0.362	0.76	46.7
40030R/-LF2	99.1	2.160	0.541	0.62	67.8
40031R/-LF2	148	2.660	0.665	0.56	97.6
40032R/-LF2	202	3.800	0.951	0.46	135
40033R/-LF2	300	4.700	1.18	0.42	193

(6D)

Midcom, Inc.
 Watertown, SD USA
 Toll Free: 800-643-2661
 Fax: 605-886-4486

This drawing is dual dimensioned.
 Dimensions in brackets are in millimeters.

Unless otherwise specified:
 Tolerances: Fractions: $\pm 1/64$
 Angles: $\pm 1^\circ$ Decimals: $\pm .005 [.13]$

DRAWING TITLE
INDUCTOR

REVISIONS: SEE SHEET 1

Midcom

DRAWING NO. (6K)(6D) REV. 6K 5/06
40017R/40033R/-LF2

SCALE --- (6F)(6E) SHEET 2 OF 6

DWG.# 40017R/40033R/-LF2