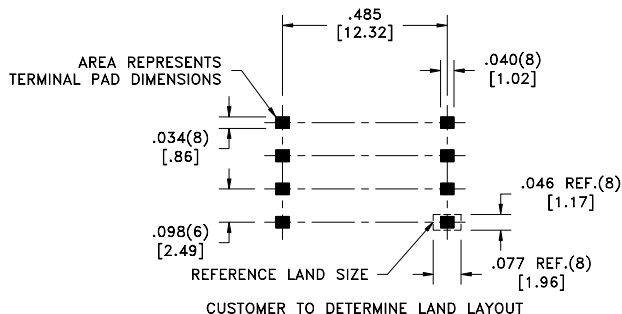
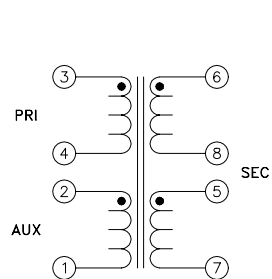
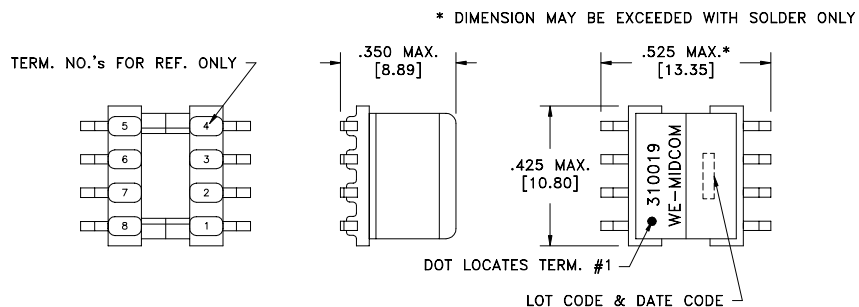


CUSTOMER TERMINAL	RoHS	LEAD(Pb)-FREE
Sn96%, Ag4%	Yes	Yes



ELECTRICAL SPECIFICATIONS @ 25°C unless otherwise noted:

PARAMETER	TEST CONDITIONS	VALUE
D.C. RESISTANCE	1-2 @20°C	2.60 ohms max.
D.C. RESISTANCE	3-4 @20°C	1.60 ohms max.
D.C. RESISTANCE	5-7 tie(5+6, 7+8), @20°C	0.045 ohms max.
INDUCTANCE	3-4 10kHz, 100mVAC, Ls	310uH ±10%
LEAKAGE INDUCTANCE	3-4 tie(5+6+7+8), 100kHz, 100mVAC, Ls	5uH max.
DIELECTRIC	3-6 1875VDC, 1 second	1500VDC, 1 minute
DIELECTRIC	3-8 1875VDC, 1 second	1500VDC, 1 minute
DIELECTRIC	1-4 625VDC, 1 second	500VDC, 1 minute
DIELECTRIC	3-6 625VDC, 1 second	500VDC, 1 minute
URNS RATIO	(3-4):(6-8)	5.5:1, ±1%
URNS RATIO	(3-4):(2-1)	1.466:1, ±1%



REV.	DATE
6A	5/07

Packaging Specifications
 Method: Tape & Reel
 PKG-0523
 www.midcom-inc.com

Unless otherwise specified:
 Tolerances: Fractions: ±1/64
 Angles: ±1° Decimals: ±.005[.127]
 This drawing is dual dimensioned. Dimensions in brackets are in millimeters.

DRAWING TITLE
TRANSFORMER
 eiSos p/n: 750310019



DRAWING NO.
750310019

REVISIONS: SEE SHEET 1

SCALE ---

SHEET 2 OF 5