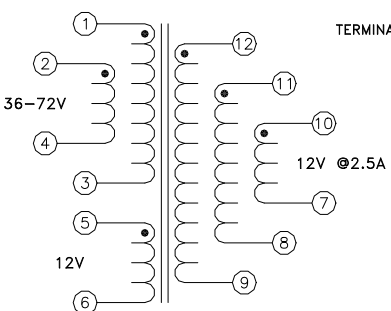
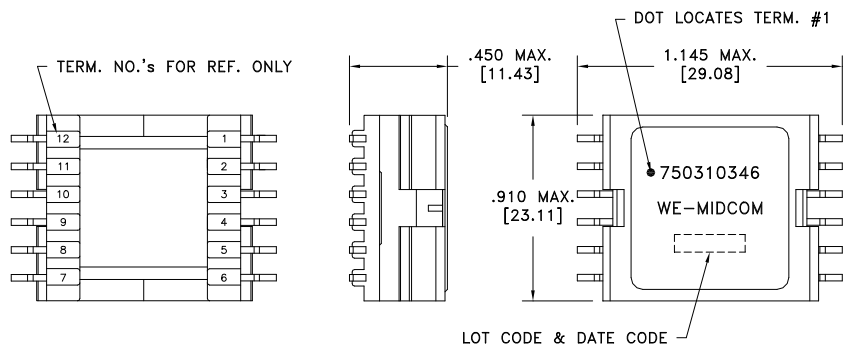
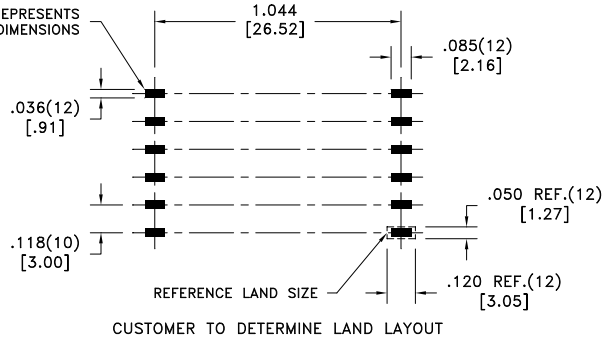


CUSTOMER TERMINAL	RoHS	LEAD(Pb)-FREE
Sn96%, Ag4%	Yes	Yes



Application of the transformer allows for the following terminals to solder bridge: 1&2, 3&4, 10&11&12, and 7&8&9.



ELECTRICAL SPECIFICATIONS @ 25°C unless otherwise noted:

PARAMETER	TEST CONDITIONS	VALUE
D.C. RESISTANCE	1-3 tie(1+2, 3+4), @20°C	0.085 ohms ±20%
D.C. RESISTANCE	7-12 tie(7+8+9, 10+11+12), @20°C	0.0250 ohms ±20%
D.C. RESISTANCE	5-6 @20°C	0.245 ohms ±20%
INDUCTANCE	1-3 tie(1+2, 3+4), 250kHz, 700mVAC, 0/2.6ADC, Ls	100uH ±10%
LEAKAGE INDUCTANCE	1-3 tie(1+2, 3+4, 5 thru 12), 250kHz, 100mVAC, Ls	1.0uH max.
DIELECTRIC	PRI-SEC 1875VAC, 1 second	1500VAC, 1 minute
URNS RATIO	(1-3):(12-7)	3:1, ±1%
URNS RATIO	(1-3):(11-8)	3:1, ±1%
URNS RATIO	(1-3):(10-9)	3:1, ±1%
URNS RATIO	(1-3):(5-6)	3:1, ±1%
URNS RATIO	(1-3):(2-4)	1:1, ±1%

GENERAL SPECIFICATIONS:
OPERATING TEMPERATURE RANGE: -40°C to +125°C.

REV.	DATE
6A	2/08

Packaging Specifications
Method: Tape & Reel
PKG-0267
www.midcom-inc.com

Unless otherwise specified:
Tolerances: Fractions: ±1/64
Angles: ±1° Decimals: ±.005[.127]
This drawing is dual dimensioned. Dimensions in brackets are in millimeters.

DRAWING TITLE
TRANSFORMER
eiSos p/n: 750310346



DRAWING NO.
750310346
REVISIONS: SEE SHEET 1
SCALE --- SHEET 2 OF 5