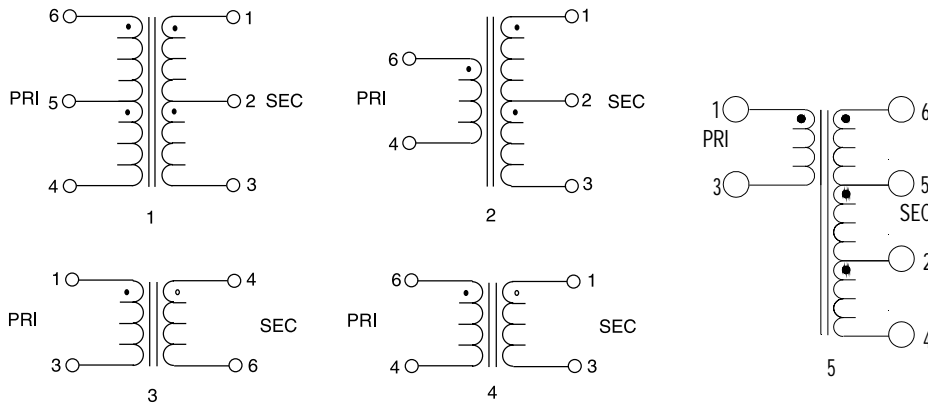
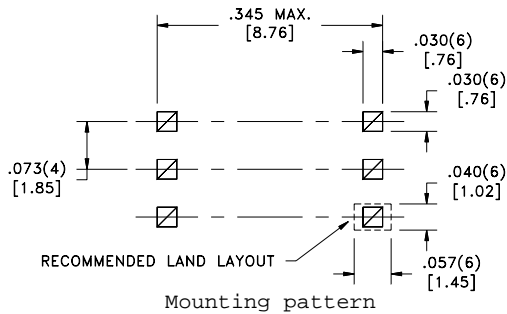
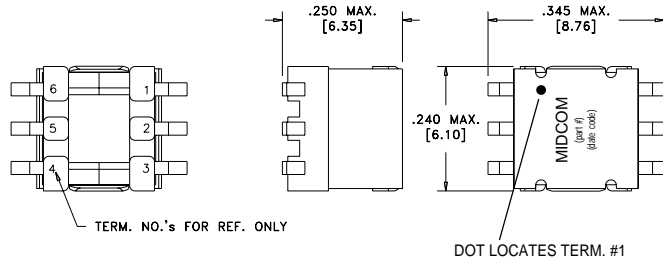


Micro Power Transformers



Midcom P/N	L _i (uH)	Leakage Ind. (uH typ.)	PRI DCR (ohms max)	SEC DCR (ohms max)	Schematic	Turns** Ratio PRI/SEC
***31032R	3.7 +/- 20%	0.275	0.9	12.25	3	1:12.04
31098R	17.2 +/- 20%	1.00	1.25	3.00	2	1:2CT
31099R	9.88 +/- 20%	0.500	1.00	3.25	4	1:3
31102R	10 +/- 25%	-	1.25	6.15	5	1:2:1:1.5
31103R	10 +/- 25%	-	1.00	3.37	5	1:0.64:1.461:1
31094R	880 min	3.00	3.50	3.50	1	1CT:1CT
31095R	390 min	1.5	2.25	4.50	1	1CT:2CT
31096R	390 min	1.5	2.25	6.00	1	1CT:2.5CT
30902R	2000 min	1.2	3.00	25.00	1	1CT:3CT
31204R	2000 min	1.2	2.75	2.75	2	1:1CT

Features

- Low profile
- Low cost
- SMD transformer
- Pick and place compatible
- 1250 VDC isolation
- 50KHz and up operating frequency applications

Applications

- Gate/Base drive
- Low power flyback
- DC/DC converter push-pull

Environmental Specifications

- Operating temperature range: -40°C to +85°C
- Storage temperature range: -50°C to +125°C

Packaging

- Parts packaged in 24/32 mm embossed carrier tape per EIA-481-3
- 800 parts per reel 13" reel

NOTES:

- * Inductance (OCL) measured at 10KHz, 100mVAC
- ** CT = Center Tap Winding
- *** Dielectric Rating 550VDC