



PoE+ Flyback EP13 Transformers

Midcom

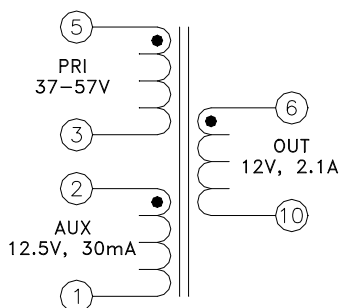
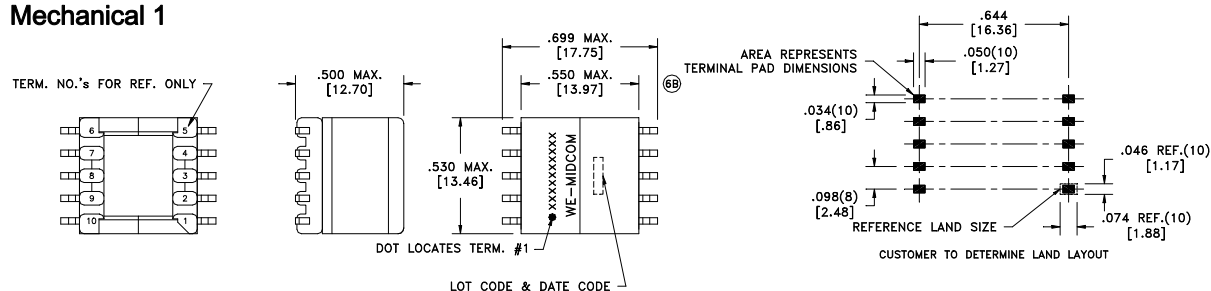
SwitchmodePower

Features

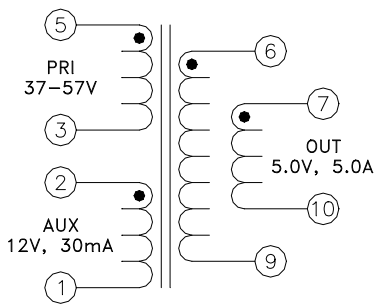
- Optimized for PoE applications
- Small size
- Cost effective
- Low Resistance
- Flat top for pick and place
- Custom designs available

Part Number	V _{PRI} (Volts)	V _{SEC} (Volts)	V _{AUX} (Volts)	P _{SEC} (Watts)	L _{PRI} (µH)	L _{LKG} (µH)	Schematic
750310742	37-57	12	12	25	38	470	1
750310744	37-57	5	12	25	38	625	2
750310743	37-57	3.3	12	25	38	625	3

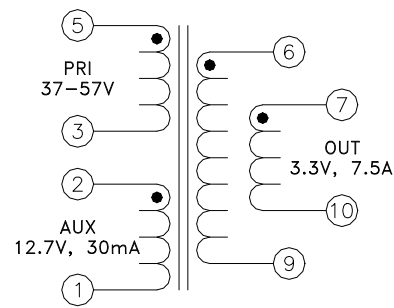
Mechanical 1



Schematic 1



Schematic 2



Schematic 3