

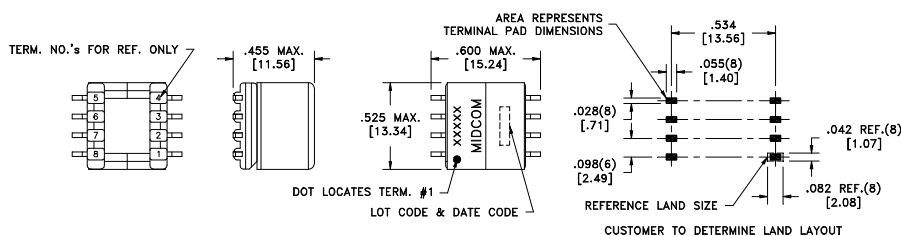


Power over Ethernet Flyback EP10 Transformers

Midcom

SwitchmodePower

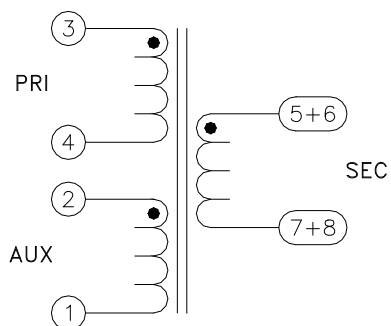
EP10 SMD



Features

- Optimized for PoE applications
- Small size
- Cost effective
- Low Resistance
- Flat top for pick and place
- Custom designs available

Part Number	V _{PRI} (Volts)	V _{SEC} (Volts)	V _{AUX} (Volts)	P _{SEC} (Watts)	L _{PRI} (µH)	L _{LKG} (µH)	Turns Ratio (PRI:AUX:SEC)
750310027	9-50	3.3	8	10	20.4	1.5	3.5:1.4:1
32168R	33-57	3.3	8	7	253	7.5	4.5:2.5:1
750310031	33-57	12	8	7	264	7.5	12:2.5:1
750310032	33-57	12	12	7	155	5.0	1.45:1:1
750310224	13-59	3.3	12	10	37	5.0	5.33:3.5:1



Schematic