

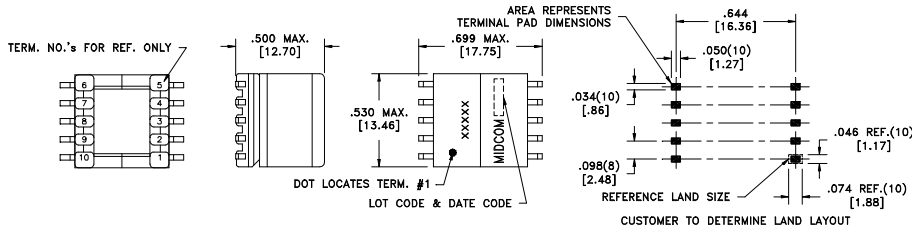


Power over Ethernet Flyback EP13 Transformers

Midcom

SwitchmodePower

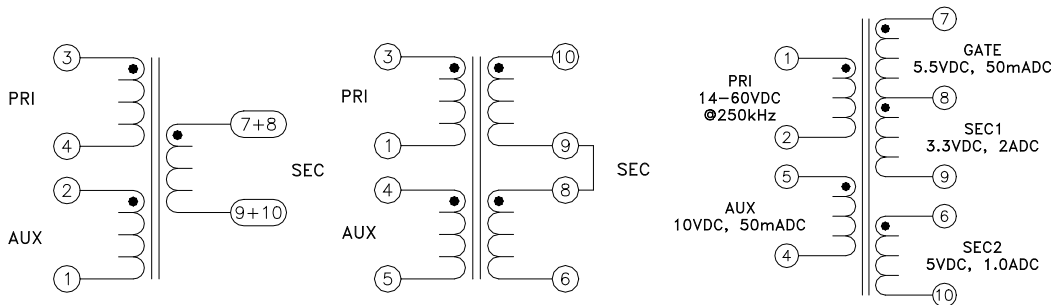
EP13 SMD



Features

- Optimized for PoE applications
- Small size
- Cost effective
- Low Resistance
- Flat top for pick and place
- Custom designs available

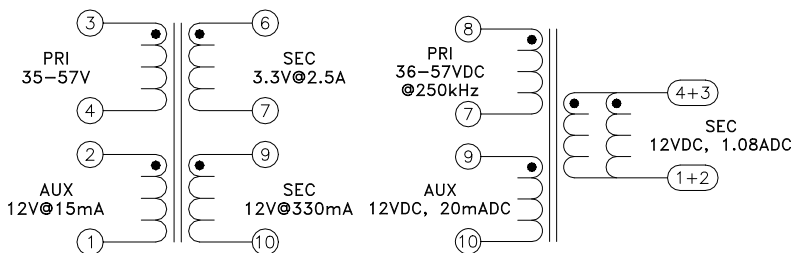
Part Number	V _{PRI} (Volts)	V _{SEC} (Volts)	V _{AUX} (Volts)	P _{SEC} (Watts)	L _{PRI} (μH)	L _{LKG} (μH)	Schematic
32171R	33-57	3.3	8	13.5	127	7.5	1
32172R	33-57	5	8	13.5	127	7.5	1
750310035	33-57	5	12	13.5	77	0.8	1
32173R-LF1	33-57	12	8	13.5	127	7.5	1
750310377	36-57	12	12	13.0	127	0.7	5
32395R-LF1	13-59	3.3/5	12	13.1	37	5.0	2
750310310	13-59	3.3/6.6	10	10.0	37	5.0	2
7491199332	14-60	3.3/5/5.5	10	13.0	35	1.0	3
750310007	33-57	3.3/12	12	13.0	127	1.2	4



Schematic 1

Schematic 2

Schematic 3



Schematic 4

Schematic 5